

Efficiency improvement and asymmetry compensation of inverters connected to a three-phase network by transient-free disconnection of one phase

BÁLINT PALÁSTI

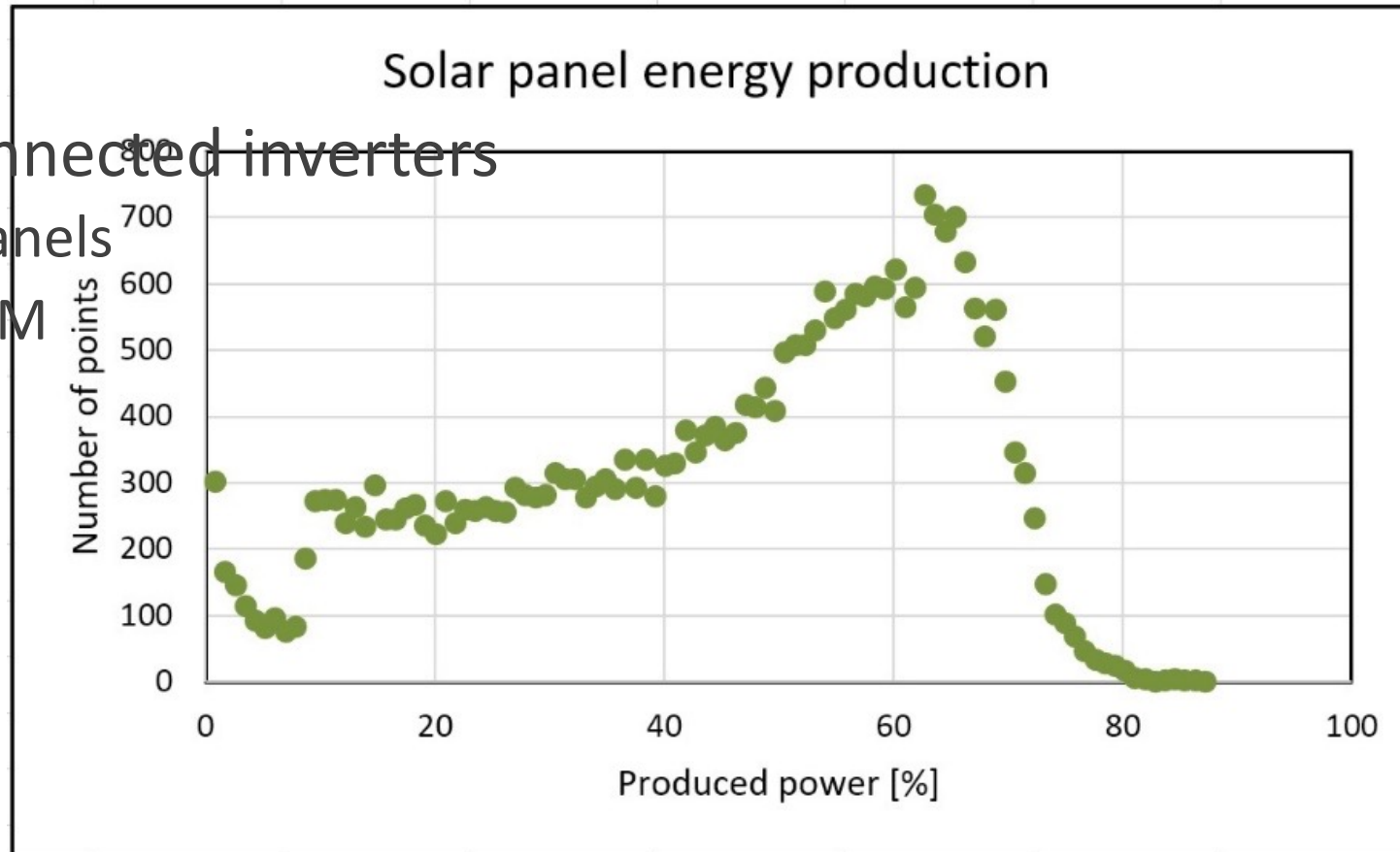


M Ű E G Y E T E M 1 7 8 2

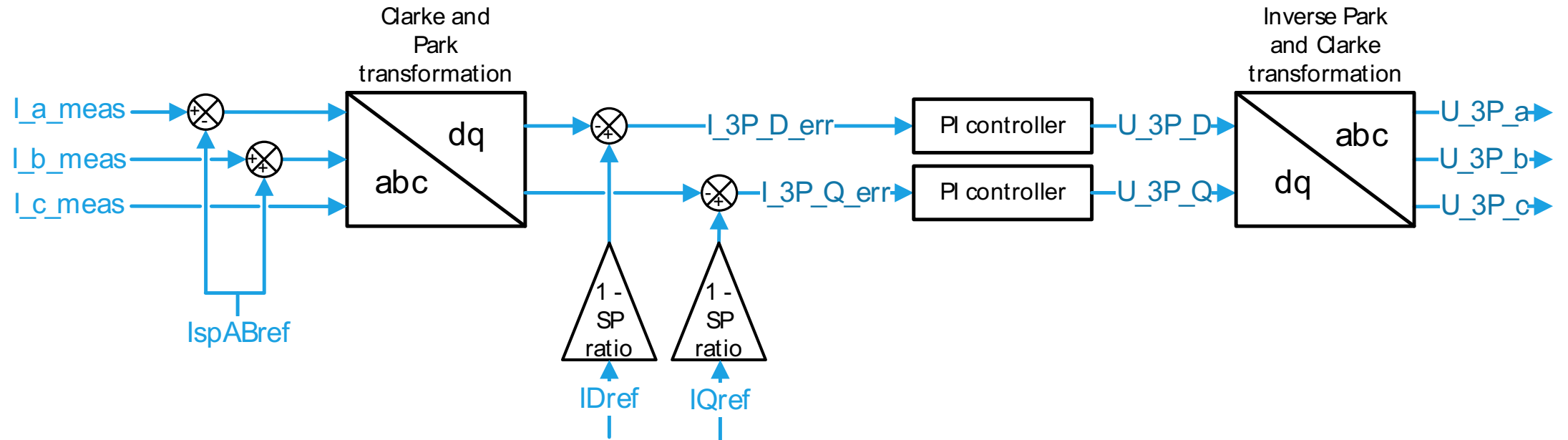


Introduction

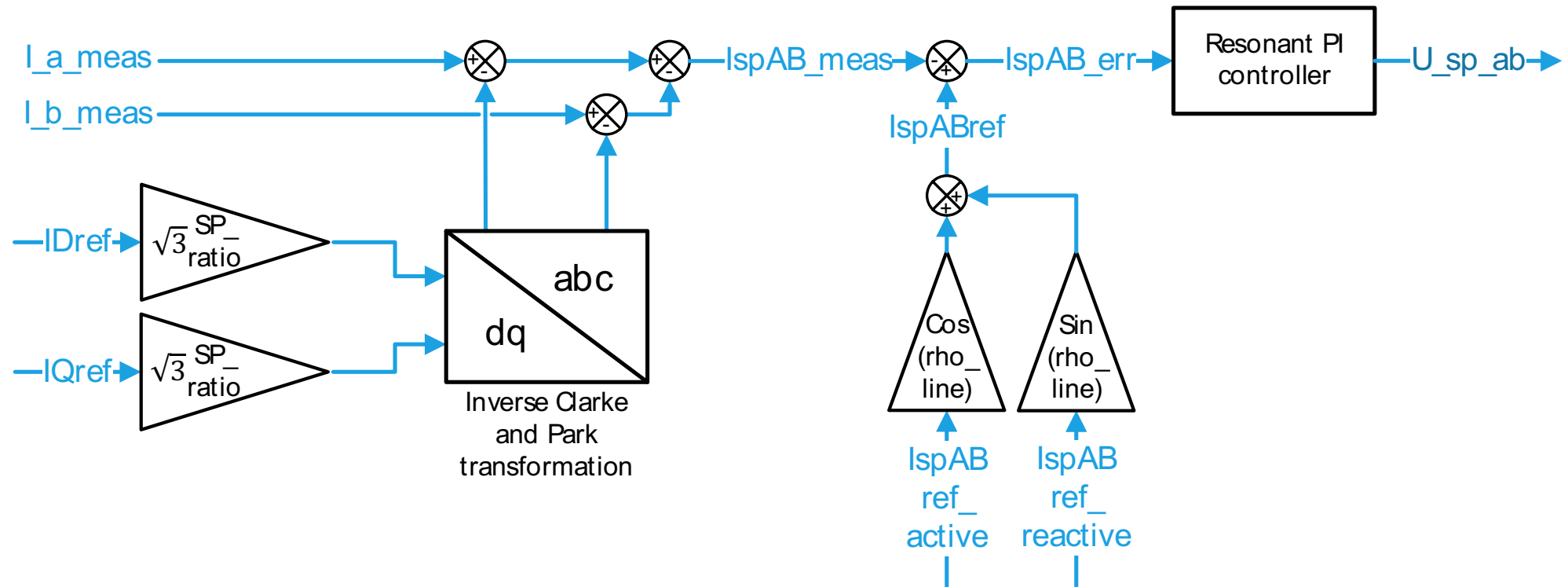
- Grid-connected inverters
 - ☐ Solar panels
 - ☐ STATCOM



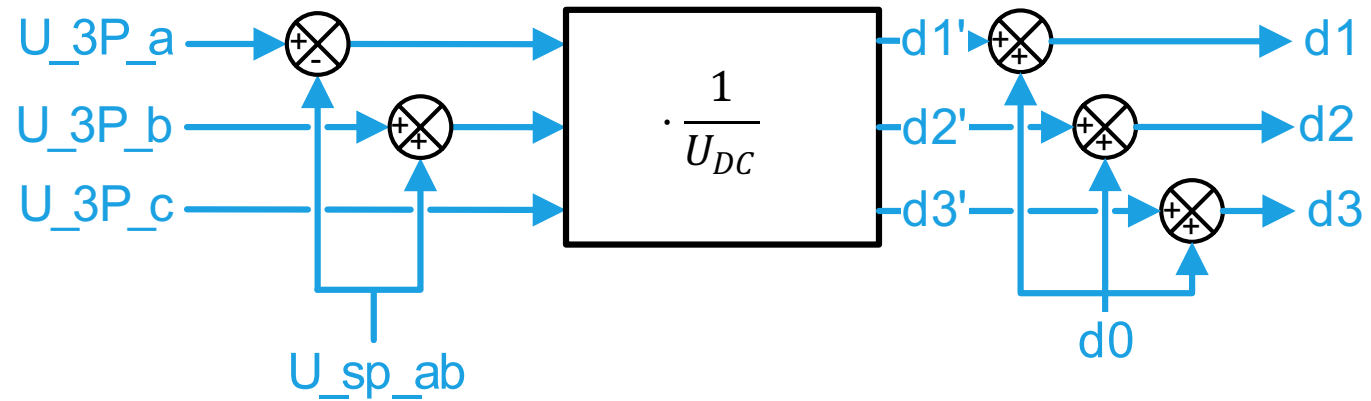
Three-phase operation



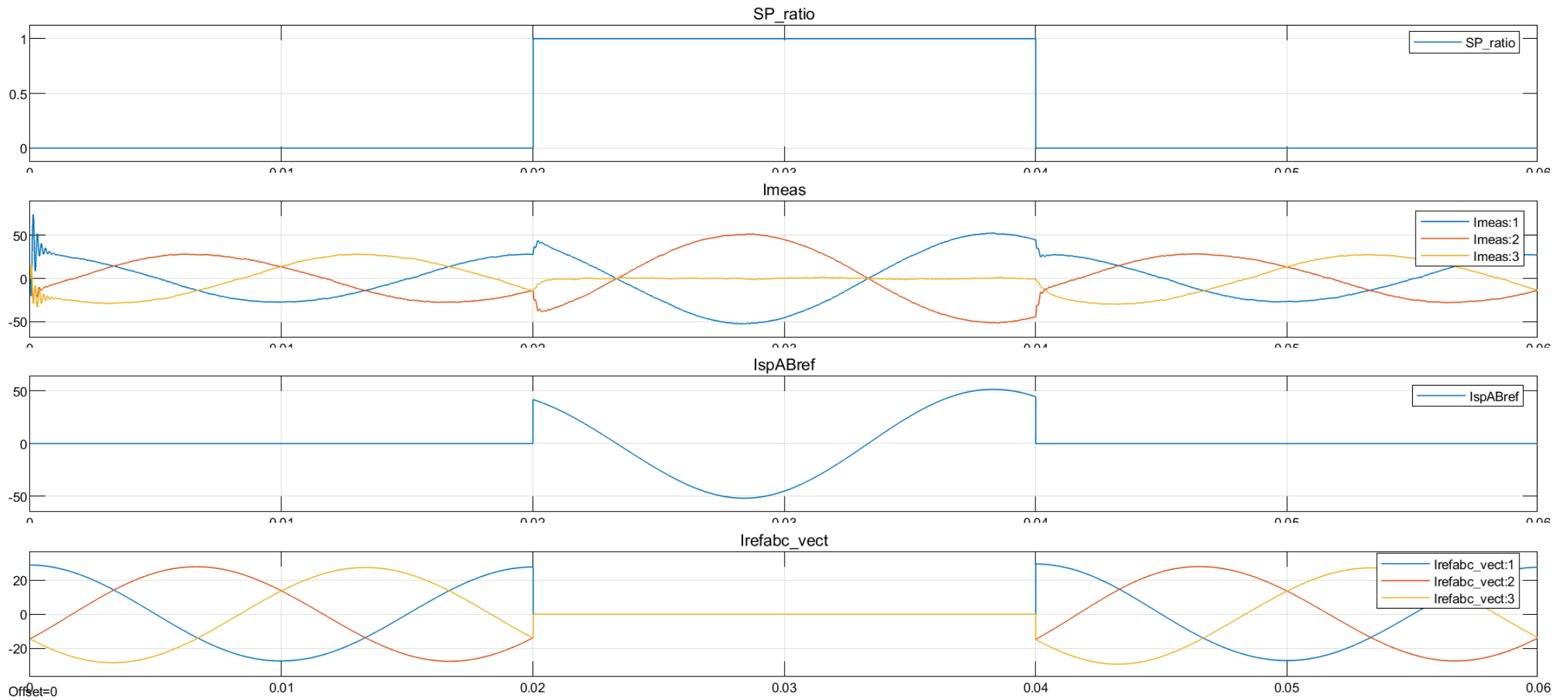
Single-phase operation



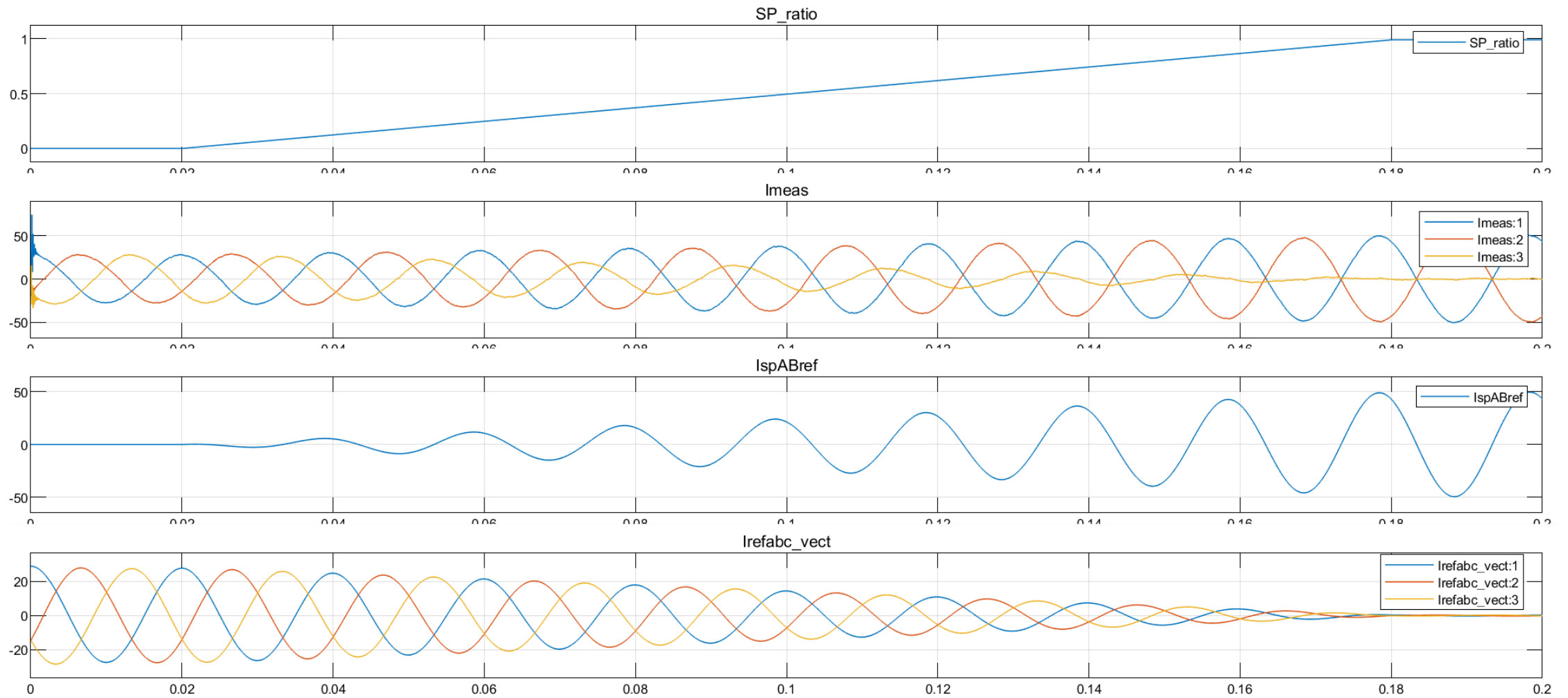
Combination of the controllers



Simulation I.



Simulation II.



Thank you for your attention!